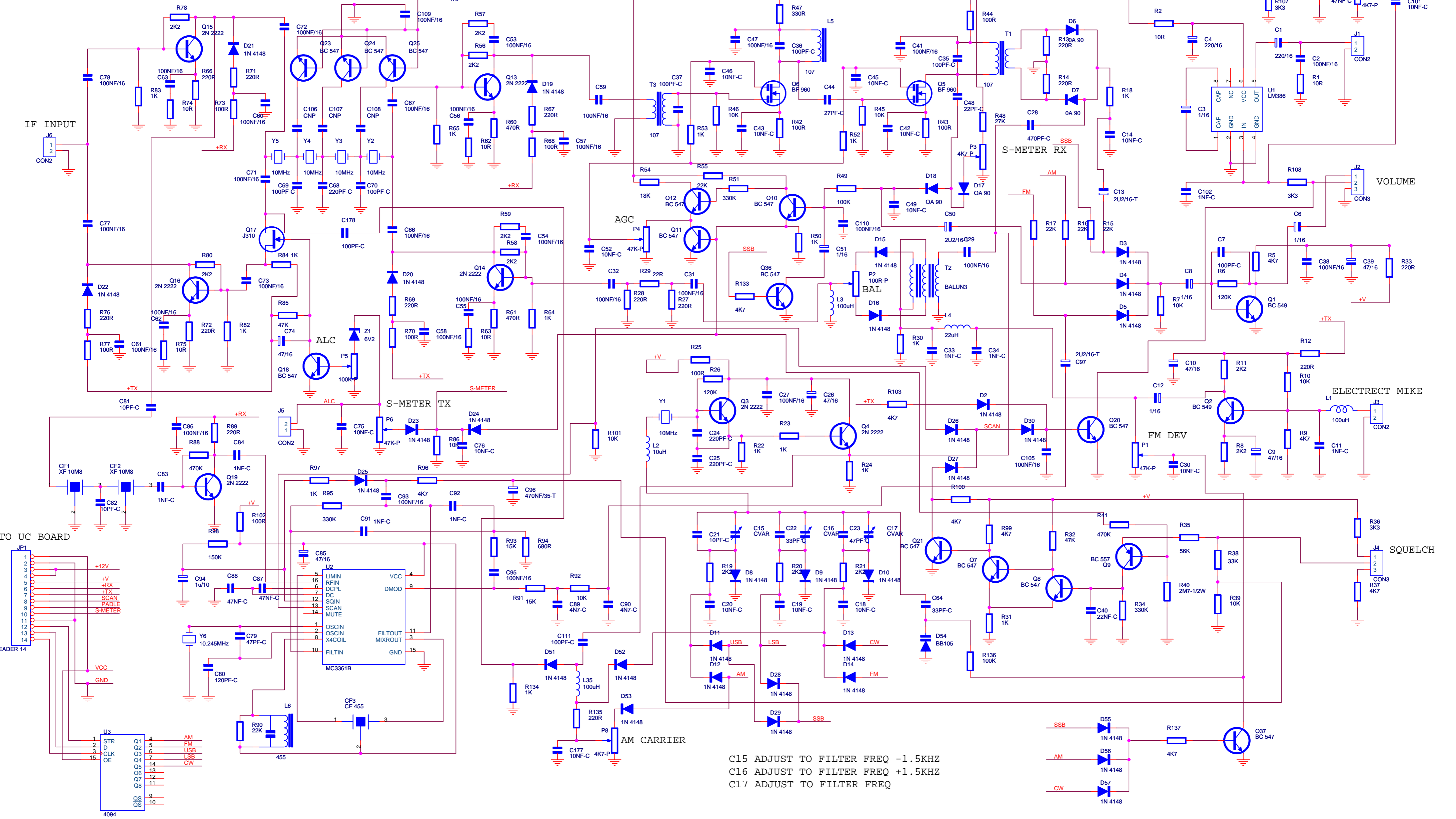


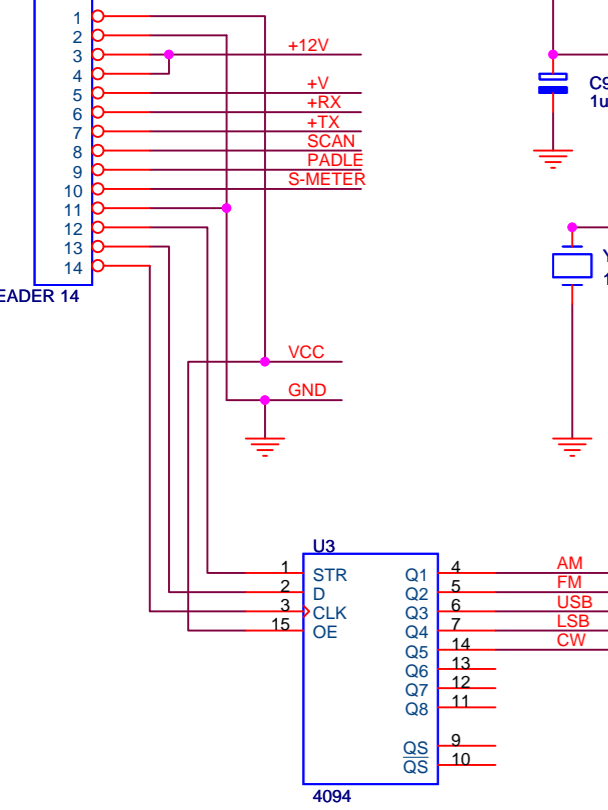
10MHZ FI , SSB, AM, FM TX
10.7 MHZ FI, FM RX

AM COMMUTATION TO BROAD FILTER



IF INPUT

TO UC BOARD



C15 ADJUST TO FILTER FREQ -1.5KHZ
C16 ADJUST TO FILTER FREQ +1.5KHZ
C17 ADJUST TO FILTER FREQ

| | | | |
|-------|-------------------------|-----------------|--------|
| Title | <Title> | Rev | <Rev> |
| Size | A2 | Document Number | <Doc> |
| Date | Monday, August 15, 2005 | Sheet | 1 of 1 |