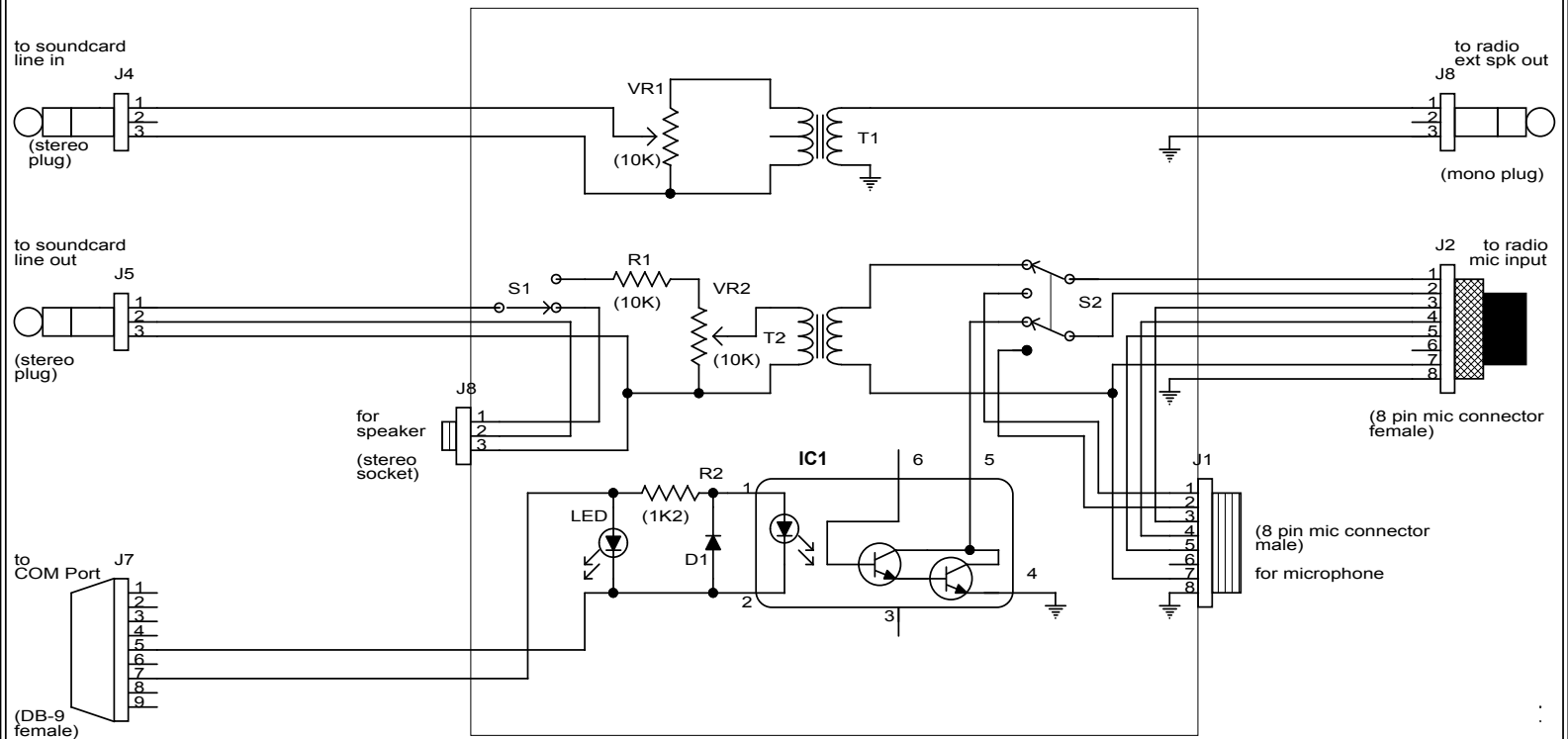


COMPUTER - RADIO INTERFACE FOR KENWOOD TRANSCEIVER



T1 = trafo audio in 8 Ohm : output 1kOhm

T2 = trafo audio 1:1 (600Ohm : 600Ohm)

D1, D2 = 1N4001

IC1, IC2 = optocoupler 4N25 / 4N27 / 4N33

S1 = SPDT

S2 = DPDT

PCB123

Title: INTERFACE-KW2.EPC

Size A	Document Number #004	Rev A
--------	----------------------	-------

Date: Sat, June 11, 2005	YE1GD
--------------------------	-------