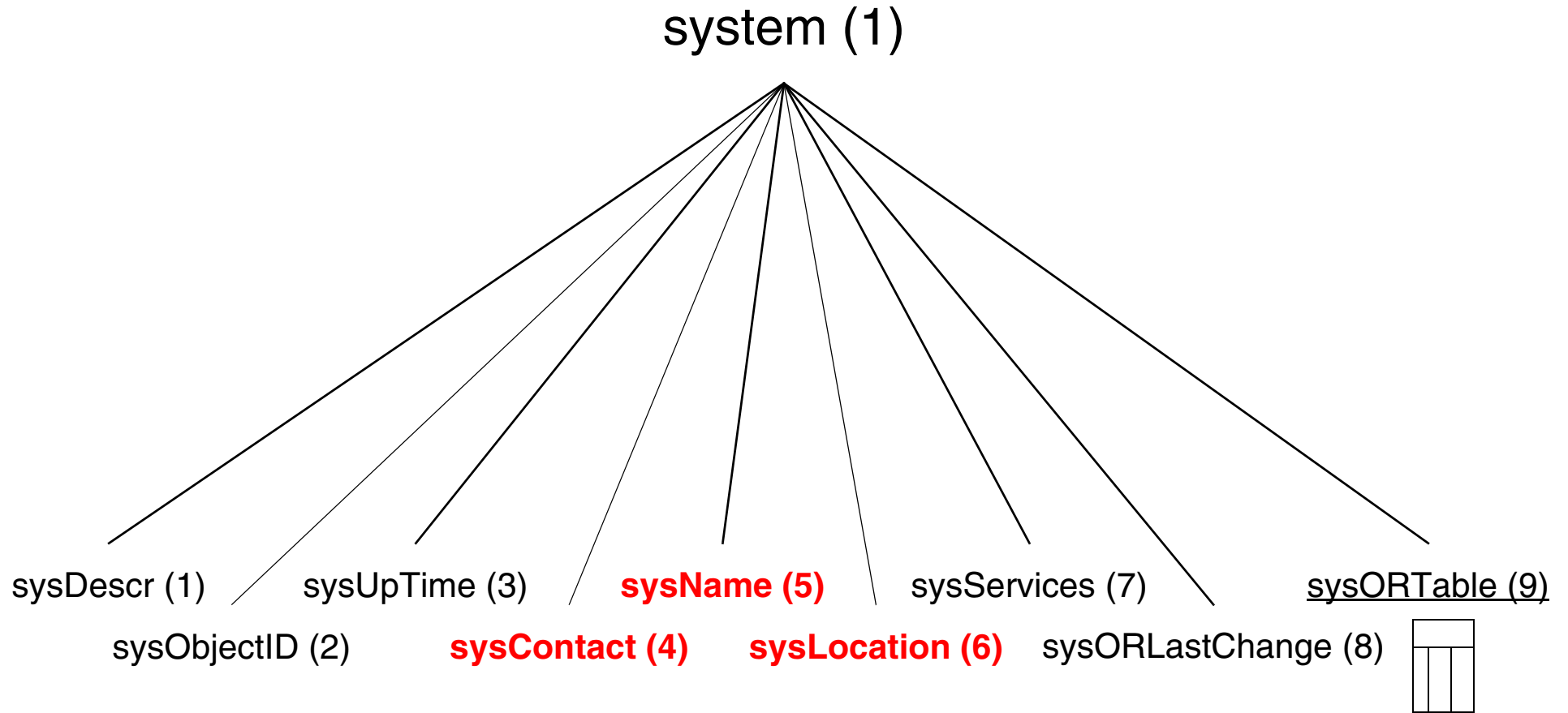


# SNMPv2 MIB

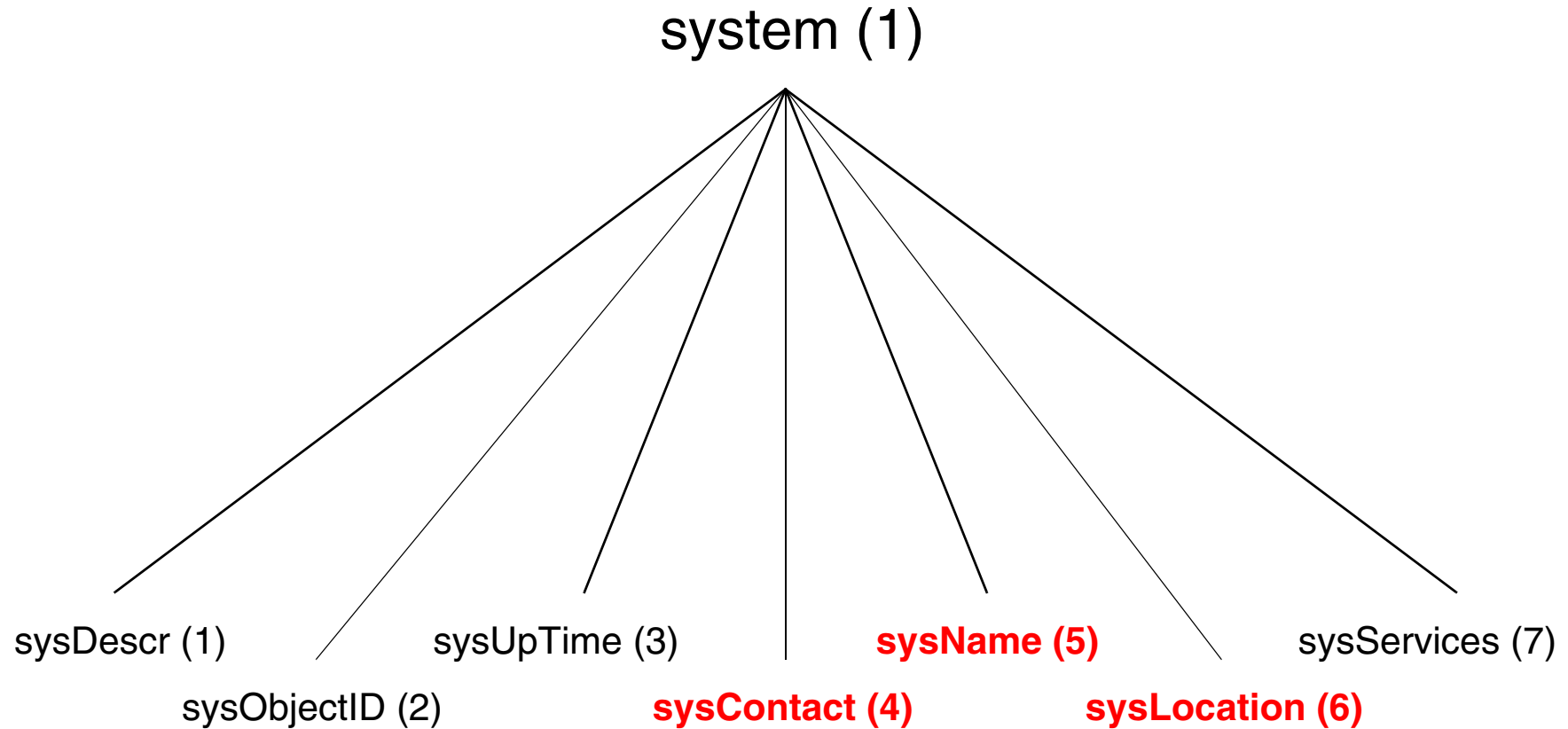
RFC 3418  
STANDARD

- SYSTEM GROUP
- SNMP GROUP
- SNMP MIBObjects GROUP
  - snmpTrap
  - snmpTraps
  - snmpSet (snmpSetSerialNo)

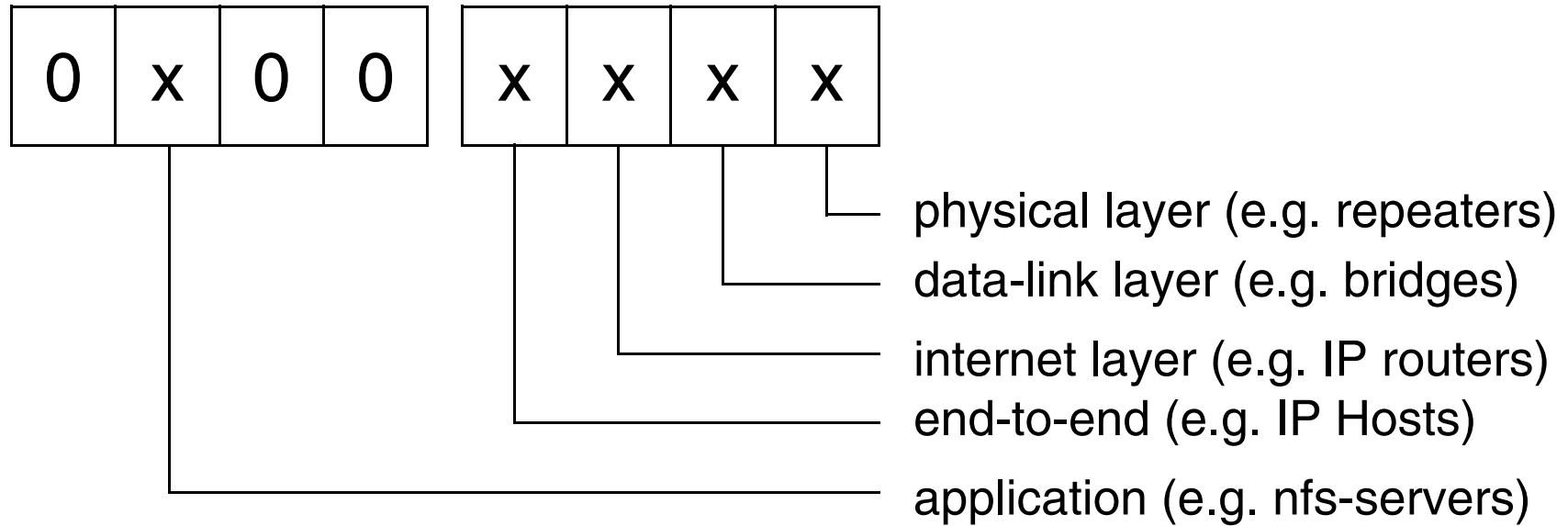
# SYSTEM GROUP



# ORIGINAL SYSTEM GROUP (MIB-II)



# sysServices



## EXAMPLE

sysDescr: **"Cisco Gateway"**

sysObjectID: **1.3.6.1.4.1.9.1.1**

sysUpTime: **37153422** (*4 days, 7 h, 12 min, 14.22 s*)

sysContact: **"helpdesk@cs.utwente.nl"**

sysName: **"utic01.cs.utwente.nl"**

sysLocation: **"near logica meeting room"**

sysServices: **6** (*bridge and router functions*)

## sysORTable - EXAMPLE

<b>sysORIndex</b>	<b>sysORID</b>	<b>sysORDescr</b>	<b>sysORUpTime</b>
1	IF-MIB!ifMIB	The MIB module to describe generic objects for network interface sub-layers	82
2	SNMPv2-MIB!snmpMIB	The MIB module for SNMPv2 entities	82
3	TCP-MIB!tcpMIB	The MIB module for managing TCP implementations	82
4	IP-MIB!ip	The MIB module for managing IP and ICMP implementations	85
5	UDP-MIB!udpMIB	The MIB module for managing UDP implementations	85

# SNMP GROUP

## 7 READ-ONLY COUNTERS (MIB-II HAD 29 COUNTERS!)

- THE NUMBER OF RECEIVED SNMP MESSAGES
- THE NUMBER OF RECEIVED SNMP MESSAGES,  
FOR A VERSION NOT SUPPORTED
- THE NUMBER OF RECEIVED SNMP MESSAGES,  
WITH AN INCORRECT COMMUNITY NAME / OPERATION NOT ALLOWED
- THE NUMBER OF RECEIVED SNMP MESSAGES,  
WHICH COULD NOT BE PARSED,  
OR WHICH WERE DROPPED

## 1 READ-WRITE VARIABLE

- TO ENABLE / DISABLE AUTHENTICATION TRAPS